

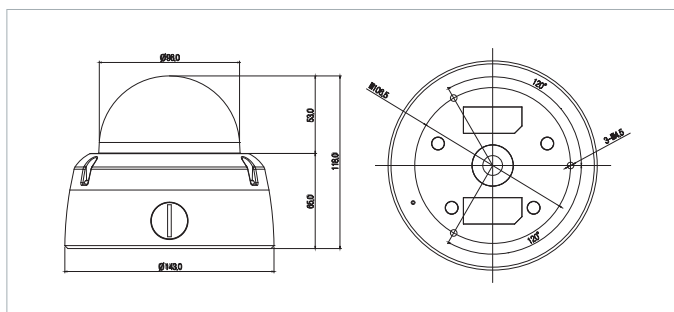
VDA100EHi-IR

D1 IR Vandal Dome Camera



Features

- 1/3" Sony 960H Ex-view HAD CCD II
- 2.8-12mm lens
- 30m IR Beam Distance
- Dual Streaming of H.264 and M-JPEG
- H.264 : 25/30fps/ D1, M-JPEG : 25/30fps/ D1
- Integrated motion detection with pre- and post-alarm image/video buffering
- Event-Triggered FTP and email upload of still images and videos
- Full Duplex Two-Way Audio Support(Optional)
- External microphone input & speaker output connector(Optional)
- Digital PTZ
- UPnP supported
- Micro SD/SDHC card slot, event triggered, scheduled and continuous recording supported
- 1 Port analog video loop-out port
- Supports CBR and VBR modes
- Supports 12VDC/ IEEE 802.3af PoE injectors, mid- and end-spans
- Integrated HTTP Web server supporting 50 simultaneous user connections
- HTTPS supported(Hyper Text Transfer Protocol Secured)
- Integrated E-Mail, FTP, DDNS and DHCP client
- Extensive CGI API for software integration and remote programming operations
- Window based IP installer and license-free 16 CH NVR software
- Tool-free 3-Axis
- Vandalproof/ Tamperproof
- IP66 Weatherproof



MODEL	VDA100EHi-IR		
Classification	Specification		
General	CPU	32-bit ARM9 RISC CPU up to 533MHz, 32KB I/D-Cache, MMU	
	Video Buffer	16Mbyte Video Frame Buffer	
	Flash	16 Mbyte Flash Memory	
	SDRAM	256Mbyte	
Image Pickup	Image sensor	1/3" Sony 960H Ex-view HAD CCD II	
	Effective Pixels	NTSC : 976(H) x 494(V), PAL : 976(H) x 582(V)	
	Synchronizing system	Internal	
	Scanning system	NTSC : 525 Lines PAL : 625 Lines	
	S/N Ratio	More than 50dB	
	Min. Illumination	0Lux (IR On)	
	IR Distance	30m	
	Day & Night	ICR	
	Shutter Speed	NTSC: 1/60~1/10,000 sec. PAL: 1/50~1/10,000 sec.	
	Gamma Correction	Standard $\gamma = 0.45$	
Video	Lens	2.8~12mm Varifocal DC Auto Iris lens	
	Video compression	H.264 baseline profile, Motion JPEG	
	Resolutions	Up to D1(N TSC: 7 20X480, PAL: 720X576)	
	Frame rate	H.264 Up to 30fps with D1	
		MJPEG Up to 30fps with D1	
	Video streaming	Support multi stream with H.264, MJPEG	
		Adjustable frame rate	
	Pan/Tilt/Zoom	VBR/CBR in H.264	
		Digital PTZ	
	Image setting	Day & Night	
Auto White Balance			
Auto Exposure			
Privacy Mask			
Output	Effect - Color, Sharpness, Mirror/V-Flip, etc.		
	BNC x1, 1.0Vp-p, 75 ohm Composite Video, NTSC/PAL		
Audio (Option)	Audio streaming	Two-way, full duplex	
	Audio compression	G.711	
	Sample Rate	8KHZ	
	Data Rate	64Kbps	
	Audio input	Microphone input / 1 x Line-In (Mono)-Option	
	Audio output	Line output/ 1 x Line-Out (Mono)-Option	
Network	Security	Password protection	
		User access log	
		HTTPS encryption	
Supported protocol	HTTP, HTTPS, FTP, SMTP, UPnP, DNS, DynDNS, NTP, RTSP, RTP, TCP, UDP, ICMP, DHCP		
System integration	Intelligent video	Motion detection up to D1 with 32x24 blocks	
	Alarm trigger	Motion detection	
		External input/Normal Open/Close Type	
	Alarm events	File upload via ftp, e-mail	
		Notification via email, FTP and TCP	
	Video buffer	16MB pre-alarm and post-alarm	
	Recoding	Save to Micro SD/SDHC card with event mode and continuous mode	
Firmware upgrade	Remote upgrade via network		
API	CGI Interface document		
	ActiveX Interface(ocx(dll) + document)		
Physical	Reset Button	1 x Factory Reset Button	
	Power Source	DC 12V/1.5A, PoE(Power over Ethernet): 802.3af	
	Power Consumption	Max, 5.5W, Max, 7.2W with IR On	
	Net Weight	2000g	
	LED's	Power, Network Connection	
Environment	Dimension	143(Ø) x 118(H)	
	Operating Temperature	-10 degree~50 degree Celsius (14F~122F)	
	Storage Temperature	-20 degree~60 degree Celsius (-4F~140F)	
Software	Included Software	NVR Lite (16 Channel), IP Installer (Windows Only)	
Package	Package Contents	Network Camera, Use Manual, External Power Adaptor, Software CD	